



IT IS THE MANUFACTURERS OPINION AND INTENT THAT THE USE AND LAYOUT OF THESE COMPONENTS CONFORM WITH THE AMERICAN SOCIETY FOR TESTING AND MATERIALS (ASTM) STANDARD ASTM F1487

THIS PLAY AREA & PLAY EQUIPMENT IS DESIGNED FOR AGES 5-12 YEARS UNLESS OTHERWISE NOTED ON PLAN.

IT IS THE MANUFACTURERS OPINION THAT THIS PLAY AREA DOES CONFORM TO THE A.D.A. ACCESSIBILITY STANDARDS, ASSUMING AN ACCESSIBLE PROTECTIVE SURFACING IS PROVIDED, AS INDICATED, OR WITHIN THE ENTIRE USE ZONE.

THIS CONCEPTUAL PLAN WAS BASED ON INFORMATION AVAILABLE TO US. PRIOR TO CONSTRUCTION, DETAILED SITE INFORMATION INCLUDING SITE DIMENSIONS, TOPOGRAPHY, EXISTING UTILITIES, SOIL CONDITIONS, AND DRAINAGE SOLUTIONS SHOULD BE OBTAINED, EVALUATED, & UTILIZED IN THE FINAL DESIGN. PLEASE VERIFY ALL DIMENSIONS OF PLAY AREA, SIZE, ORIENTATION, AND LOCATION OF ALL EXISTING UTILITIES, EQUIPMENT, AND SITE FURNISHINGS PRIOR TO ORDERING. SLIDES SHOULD NOT FACE THE HOT AFTERNOON SUN.

CHOOSE A PROTECTIVE SURFACING MATERIAL THAT HAS A CRITICAL HEIGHT VALUE TO MEET THE MAXIMUM FALL HEIGHT FOR THE EQUIPMENT (REF. ASTM F1487 STANDARD CONSUMER SAFETY PERFORMANCE SPECIFICATION FOR PLAYGROUND EQUIPMENT FOR PUBLIC USE, SECTION 8 CURRENT REVISION). THE SUBSURFACE MUST BE WELL DRAINED. IF THE SOIL DOES NOT DRAIN NATURALLY IT MUST BE TILED OR SLOPED 1/8" TO 1/4" PER FOOT TO A STORM SEWER OR A "FRENCH DRAIN".

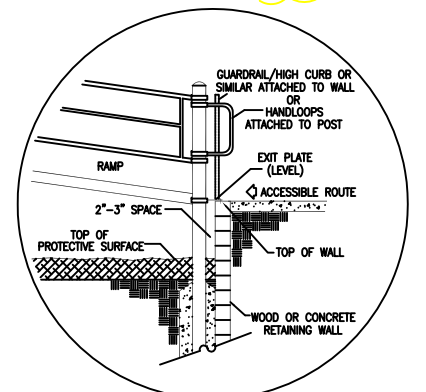
ACCESSIBLE/PROTECTIVE SURFACING TO BE A COMBINATION OF UNITARY AND LOOSE FILL MATERIALS.

DESIGNED BY:

COPYRIGHT: 2010  
 LANDSCAPE STRUCTURES, INC.  
 801 7th STREET SOUTH - P.O. BOX 198  
 DELANO, MINNESOTA 55328  
 PH: 1-800-328-0035 FAX: 1-763-972-6091

Date Previous Drawing # Initials

\*OVERHEAD OBSTRUCTIONS WITHIN USE ZONES OF PLAYGROUND EQUIPMENT THAT ARE NOT PART OF THE PLAY STRUCTURE (FOR EXAMPLE, TREE LIMBS) SHALL BE AT LEAST 84 IN. (2130mm) ABOVE EACH DESIGNATED PLAY SURFACE OR 84 IN. (2130mm) ABOVE THE PIVOT POINT OF SWINGS.

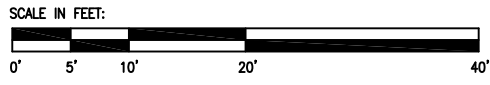


SUGGESTED ELEVATED RAMP EXIT INSTALLATION  
 RAMP ELEVATION TO BE 24" ABOVE FINISH GRADE.

THE MAXIMUM FALL HEIGHT OF THIS AREA IS 96"  
 Estimated manufacturing time: 16 weeks from the time of LSI order acceptance.

TOTAL ELEVATED PLAY COMPONENTS	50		
TOTAL ELEVATED COMPONENTS ACCESSIBLE BY RAMP	35	REQUIRED	25
TOTAL ELEVATED COMPONENTS ACCESSIBLE BY TRANSFER	0	REQUIRED	0
TOTAL ACCESSIBLE GROUND LEVEL COMPONENTS SHOWN	19	REQUIRED	0
TOTAL DIFFERENT TYPES OF GROUND LEVEL COMPONENTS	10	REQUIRED	10

Make a Pirate	Cross Nest
Hard Maze	Culture
GFRC Climb	Tri Soil
Pirate Figure	Flag
Pirate Truss	Soil
Trawl Panel	Rudder
Box w/Chain	Wheel Panel
Ladder	Pirate Face
Gang Plank	Cannon Panel
Pirates Only	Periscope
Exit Plots	Panel w/rooves
Treasure Game	Boo Spirit
Custom Deck	Map Panel
Pirate Face	Deck Panel
Brown Ball	Deck Cannon
	Flush Post



Reese's Retreat  
 Pasadena, CA

SYSTEM TYPE:  
**PlayBooster**  
 DRAWING #:  
 19141-1-14

